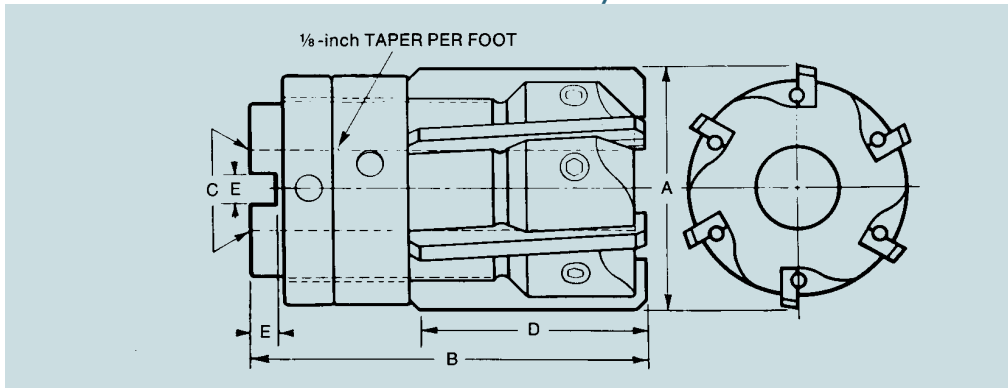




Adjustable Reamers

by TOOLFAB



No. 94

SHELL REAMERS WITH TAPERED HOLES

McCrosky No. 94 SHELL REAMERS ARE MADE IN STANDARD SIZES FROM 1 3/16 INCHES TO 6 INCHES IN DIAMETER (SIZES VARY BY 1/16-INCH INCREMENTS). ALTHOUGH SOME ENGINEERS PREFER TO USE No. 90 OR No. 91 CHUCKING REAMERS FOR SMALL-DIAMETER WORK, No. 94 SHELL REAMERS ARE UNEXCELLED FOR REAMING HOLES 3 INCHES IN DIAMETER AND LARGER.

BODIES ARE OF ALLOY STEEL AND FEATURE THE PIN-AND SCREW BLADE LOCKING DEVICE, AND ALL OTHER TIME-PROVED ADVANTAGES OF McCrosky DESIGN AND MANUFACTURE. HOLES ARE TAPERED 1/8-INCH TO A FOOT TO FIT McCrosky M-40 STRAIGHT SHANK OR M-41 TAPERED SHANK ARBORS.

ONLY SEVEN SIZES OF BLADES ARE NEEDED TO FIT ALL SIZES OF No. 94, No. 90 AND No. 91 REAMERS, THUS KEEPING BLADE INVENTORIES AT A MINIMUM.

WHEN ORDERING, PLEASE SPECIFY:

- REAMER BODY PART NUMBER
(SEE TABLE ON NEXT PAGE)
- DIAMETER
- QUANTITY DESIRED
- WHETHER REAMERS ARE TO BE FITTED WITH HIGH-SPEED-STEEL OR CARBIDE-TIPPED BLADES.

McCrosky reamers combine the **strength** of solid reamers with the **longer life, greater accuracy, and lower cost** of replaceable-blade reamers.

(Note: All new reamers ordered come complete with one set of blades -- please specify which blade style/part no. is required)

REAMER BODY PART NO.	REAMER SIZE (inches)	BLADE SIZE NO.	NO. OF BLADES /SET	DIMENSIONS (INCHES)					ARBOR SIZE	TOTAL ADJUSTMENT FOR REGRINDING (inches)	BLADE & JAM COLLARS (Top Size in inches)	SCREW SIZE NO.	PIN SIZE NO.
				A	B	C	D	E					
200210	1-3/16	1	6	1-3/16	2-3/4	3/8	1-3/8	1/4	70	0.110	7/8	1	1
200211	1-1/4	1	6	1-1/4	2-13/16	3/8	1-3/8	1/4	70	0.110	7/8	1	1
200212	1-5/16	2	6	1-5/16	2-15/16	1/2	1-7/16	1/4	71	0.120	1	1	2
200213	1-3/8	2	6	1-3/8	2-15/16	1/2	1-7/16	1/4	71	0.120	1	1	2
200214	1-7/16	3	6	1-7/16	3-1/16	1/2	1-9/16	1/4	71	0.130	1-1/16	2	3
200214	1-1/2	3	6	1-1/2	3-1/16	1/2	1-9/16	1/4	71	0.130	1-1/16	2	3
200215	1-9/16	3	6	1-9/16	3-1/8	5/8	1-9/16	1/4	72	0.130	1-3/16	2	3
200215	1-5/8	3	6	1-5/8	3-1/8	5/8	1-9/16	1/4	72	0.130	1-3/16	2	3
200216	1-11/16	3	6	1-11/16	3-1/8	5/8	1-9/16	1/4	72	0.130	1-5/16	2	3
200216	1-3/4	3	6	1-3/4	3-1/8	5/8	1-9/16	1/4	72	0.130	1-5/16	2	3
200217	1-13/16	4	6	1-13/16	3-1/2	5/8	1-7/8	1/4	72	0.150	1-5/16	3	3
200217	1-7/8	4	6	1-7/8	3-1/2	5/8	1-7/8	1/4	72	0.150	1-5/16	3	3
200218	1-15/16	4	6	1-15/16	3-5/8	3/4	1-7/8	1/4	73	0.150	1-7/16	3	3
200218	2	4	6	2	3-5/8	3/4	1-7/8	1/4	73	0.150	1-7/16	3	3
200219	2-1/16	5	6	2-1/16	4-1/16	3/4	2-3/16	1/4	73	0.165	1-7/16	4	4
200219	2-1/8	5	6	2-1/8	4-1/16	3/4	2-3/16	1/4	73	0.165	1-7/16	4	4
200220	2-3/16	5	6	2-3/16	4	3/4	2-3/16	1/4	73	0.165	1-11/16	4	4
200220	2-1/4	5	6	2-1/4	4	3/4	2-3/16	1/4	73	0.165	1-11/16	4	4
200221	2-5/16	5	6	2-5/16	4-1/16	7/8	2-3/16	1/4	74	0.165	1-11/16	4	4
200221	2-3/8	5	6	2-3/8	4-1/16	7/8	2-3/16	1/4	74	0.165	1-11/16	4	4
200222	2-7/16	5	6	2-7/16	4-1/8	1	2-3/16	5/16	75	0.165	1-7/8	4	4
200222	2-1/2	5	6	2-1/2	4-1/8	1	2-3/16	5/16	75	0.165	1-7/8	4	4
200223	2-9/16	6	6	2-9/16	4-7/16	1	2-7/16	5/16	75	0.180	1-7/8	5	5
200223	2-5/8	6	6	2-5/8	4-7/16	1	2-7/16	5/16	75	0.180	1-7/8	5	5
200224	2-11/16	6	6	2-11/16	4-7/16	1-1/8	2-7/16	3/8	76	0.180	2-1/8	5	5
200224	2-3/4	6	6	2-3/4	4-7/16	1-1/8	2-7/16	3/8	76	0.180	2-1/8	5	5
200225	2-13/16	6	6	2-13/16	4-1/2	1-1/4	2-1/2	3/8	77	0.180	2-1/4	5	5
200225	2-7/8	6	6	2-7/8	4-1/2	1-1/4	2-1/2	3/8	77	0.180	2-1/4	5	5
200226	2-15/16	6	6	2-15/16	4-9/16	1-3/8	2-1/2	3/8	78	0.180	2-1/4	5	5
200226	3	6	6	3	4-9/16	1-3/8	2-1/2	3/8	78	0.180	2-1/4	5	5
200227	3-1/16	6	6	3-1/16	4-1/2	1-3/8	2-1/2	3/8	78	0.180	2-1/2	5	5
200227	3-1/8	6	6	3-1/8	4-1/2	1-3/8	2-1/2	3/8	78	0.180	2-1/2	5	5
200228	3-3/16	6	8	3-3/16	4-9/16	1-3/8	2-1/2	3/8	78	0.180	2-1/2	5	5
200228	3-1/4	6	8	3-1/4	4-9/16	1-3/8	2-1/2	3/8	78	0.180	2-1/2	5	5
200229	3-5/16	6	8	3-5/16	4-11/16	1-1/2	2-1/2	7/16	79	0.180	2-1/2	5	5
200229	3-3/8	6	8	3-3/8	4-11/16	1-1/2	2-1/2	7/16	79	0.180	2-1/2	5	5
200230	3-7/16	6	8	3-7/16	4-9/16	1-1/2	2-1/2	7/16	79	0.180	2-7/8	5	5
200230	3-1/2	6	8	3-1/2	4-9/16	1-1/2	2-1/2	7/16	79	0.180	2-7/8	5	5
200231	3-9/16	6	8	3-9/16	4-5/8	1-1/2	2-1/2	7/16	79	0.180	2-7/8	5	5
200231	3-5/8	6	8	3-5/8	4-5/8	1-1/2	2-1/2	7/16	79	0.180	2-7/8	5	5
200232	3-11/16	6	8	3-11/16	4-3/16	1-5/8	2-1/2	1/2	80	0.180	2-7/8	5	5
200232	3-3/4	6	8	3-3/4	4-3/16	1-5/8	2-1/2	1/2	80	0.180	2-7/8	5	5
200233	3-13/16	6	8	3-13/16	4-1/16	1-7/8	2-1/2	1/2	81	0.180	3-1/4	5	5
200233	3-7/8	6	8	3-7/8	4-1/16	1-7/8	2-1/2	1/2	81	0.180	3-1/4	5	5
200234	3-15/16	6	8	3-15/16	4-1/8	1-7/8	2-1/2	1/2	81	0.180	3-1/4	5	5
200234	4	6	8	4	4-1/8	1-7/8	2-1/2	1/2	81	0.180	3-1/4	5	5
200235	4-1/16	6	8	4-1/16	4-3/16	2	2-1/2	5/8	82	0.180	3-1/4	5	5
200235	4-1/8	6	8	4-1/8	4-3/16	2	2-1/2	5/8	82	0.180	3-1/4	5	5
200236	4-3/16	6	10	4-3/16	4-1/8	2	2-1/2	5/8	82	0.180	3-9/16	5	5
200236	4-1/4	6	10	4-1/4	4-1/8	2	2-1/2	5/8	82	0.180	3-9/16	5	5
200237	4-5/16	6	10	4-5/16	4-3/16	2	2-1/2	5/8	82	0.180	3-9/16	5	5
200237	4-3/8	6	10	4-3/8	4-3/16	2	2-1/2	5/8	82	0.180	3-9/16	5	5
200238	4-7/16	6	10	4-7/16	4-1/4	2	2-1/2	5/8	82	0.180	3-9/16	5	5
200238	4-1/2	6	10	4-1/2	4-1/4	2	2-1/2	5/8	82	0.180	3-9/16	5	5
200239	4-9/16	6	10	4-9/16	4-3/16	2	2-1/2	5/8	82	0.180	4	5	5
200239	4-5/8	6	10	4-5/8	4-3/16	2	2-1/2	5/8	82	0.180	4	5	5
200240	4-11/16	6	10	4-11/16	4-1/4	2-1/4	2-1/2	3/4	83	0.180	4	5	5
200240	4-3/4	6	10	4-3/4	4-1/4	2-1/4	2-1/2	3/4	83	0.180	4	5	5
200241	4-13/16	6	10	4-13/16	4-5/16	2-1/4	2-1/2	3/4	83	0.180	4	5	5
200241	4-7/8	6	10	4-7/8	4-5/16	2-1/4	2-1/2	3/4	83	0.180	4	5	5
200242	4-15/16	6	10	4-15/16	4-1/4	2-1/4	2-1/2	3/4	83	0.180	4-1/4	5	5
200242	5	6	10	5	4-1/4	2-1/4	2-1/2	3/4	83	0.180	4-1/4	5	5
200243	5-1/16	6	10	5-1/16	4-5/16	2-1/4	2-1/2	3/4	83	0.180	4-1/4	5	5
200243	5-1/8	6	10	5-1/8	4-5/16	2-1/4	2-1/2	3/4	83	0.180	4-1/4	5	5
200244	5-3/16	6	10	5-3/16	4-3/8	2-1/4	2-1/2	3/4	83	0.180	4-1/4	5	5
200244	5-1/4	6	10	5-1/4	4-3/8	2-1/4	2-1/2	3/4	83	0.180	4-1/4	5	5
200245	5-5/16	6	12	5-5/16	4-1/4	2-1/2	2-1/2	3/4	84	0.180	4-5/8	5	5
200245	5-3/8	6	12	5-3/8	4-1/4	2-1/2	2-1/2	3/4	84	0.180	4-5/8	5	5
200246	5-7/16	6	12	5-7/16	4-5/16	2-1/2	2-1/2	3/4	84	0.180	4-5/8	5	5
200246	5-1/2	6	12	5-1/2	4-5/16	2-1/2	2-1/2	3/4	84	0.180	4-5/8	5	5
200247	5-9/16	6	12	5-9/16	4-3/8	2-1/2	2-1/2	3/4	84	0.180	4-5/8	5	5
200247	5-5/8	6	12	5-5/8	4-3/8	2-1/2	2-1/2	3/4	84	0.180	4-5/8	5	5
200249	5-11/16	6	12	5-11/16	4-1/4	2-1/2	2-1/2	3/4	84	0.180	5	5	5
200249	5-3/4	6	12	5-3/4	4-1/4	2-1/2	2-1/2	3/4	84	0.180	5	5	5
200249	5-13/16	6	12	5-13/16	4-5/16	2-1/2	2-1/2	3/4	84	0.180	5	5	5
200249	5-7/8	6	12	5-7/8	4-5/16	2-1/2	2-1/2	3/4	84	0.180	5	5	5
200250	5-15/16	6	12	5-15/16	4-3/8	2-1/2	2-1/2	3/4	84	0.180	5	5	5
200250	6	6	12	6	4-3/8	2-1/2	2-1/2	3/4	84	0.180	5	5	5